

Foundation for Cross-Connection Control & Hydraulic Research

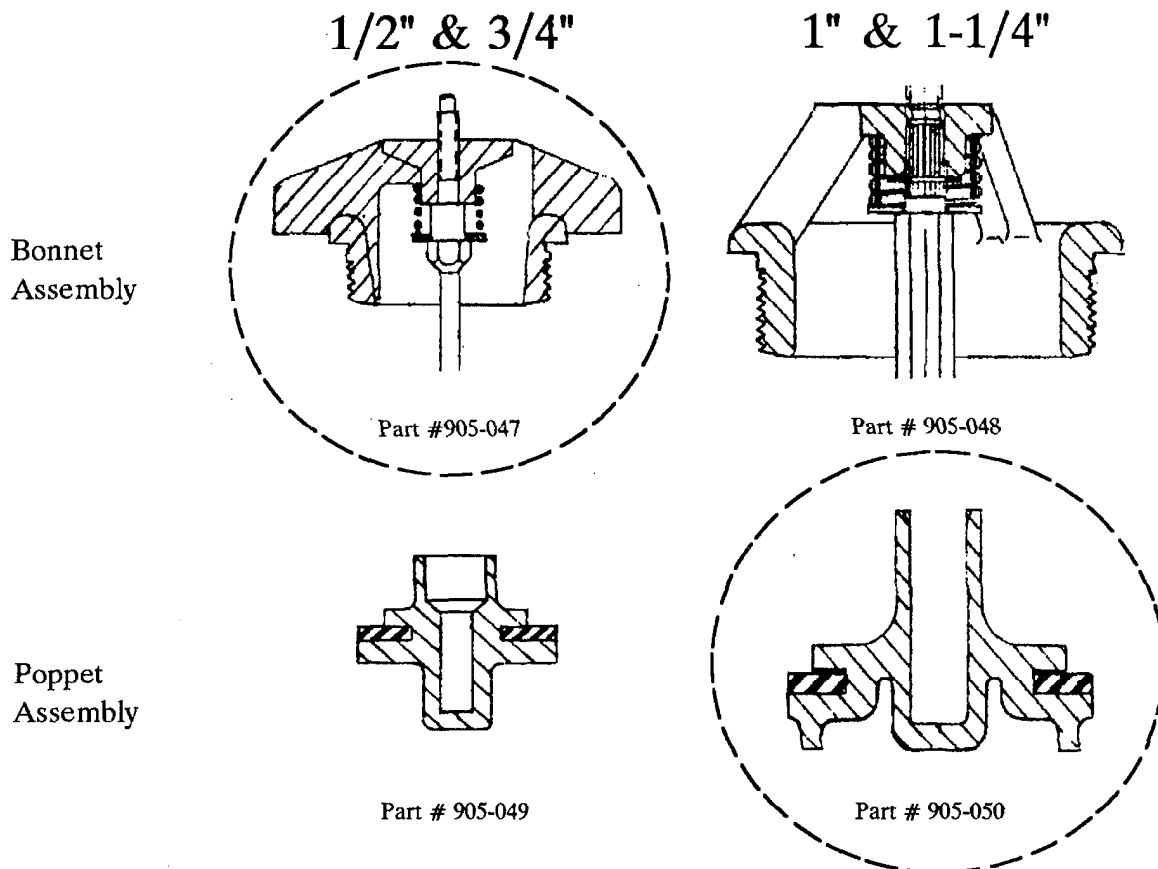
NOTICE 89-003

FEBCO Model 765 Pressure Vacuum Breaker - Sizes affected: 1/2" - 1 1/4"

During January through September 1988, approximately 2% - 5% of the subject assemblies were produced with a vendor's molded part made from defective material. The dark-brown plastic material (i.e. polysulfone) used in this time period had been chemically attacked during production. This caused the parts to be brittle with lower strength. Under certain conditions (high pressure, or water hammer) the parts may have cracked and allowed water pressure to leak out of the air inlet ports.

The plastic air inlet components (rather than the bronze body) are designed to break if the pressure vacuum breaker is subjected to freezing conditions, and the problem detailed in this NOTICE should not be associated with freeze damaged components.

The components which have been subject to failure are CIRCLED below.



The parts mentioned above are now being molded out of the polysulfone plastic which is an amber color for easy identification. The amber colored material will take the place of all the previous brown or black polysulfone parts in the 1/2" & 3/4", 1" & 1-1/4", and 1-1/2" & 2" assemblies.

Should you have an assembly which is, or has been affected by this problem, please contact the Febco Customer Service Department at (209) 252-0791. Replacement parts will be exchanged for damaged parts (subject to inspection by Febco). Please include the serial number of the pressure vacuum breaker for reference.